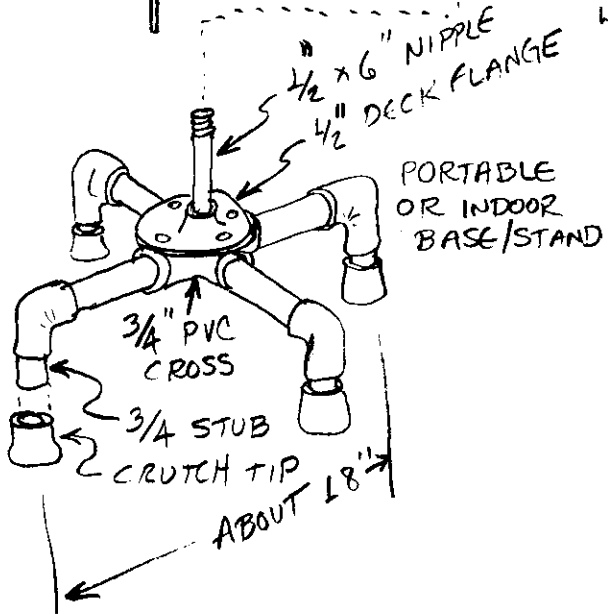
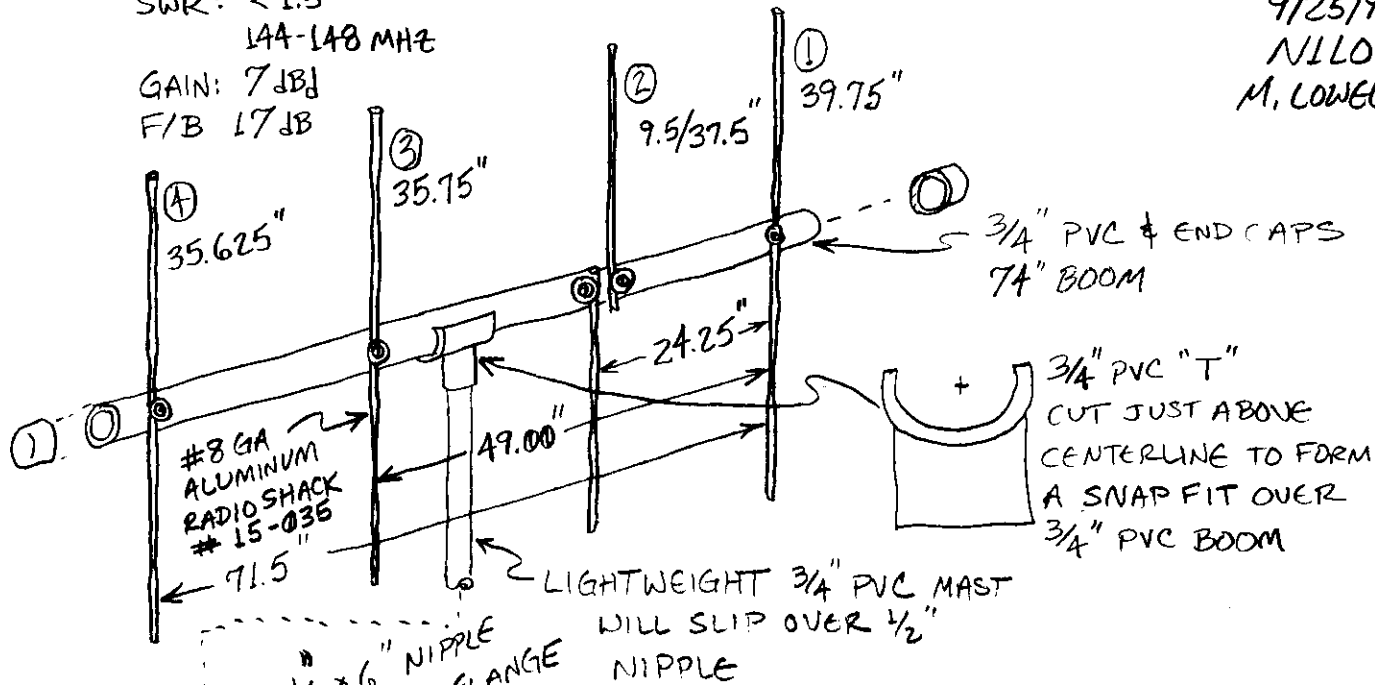


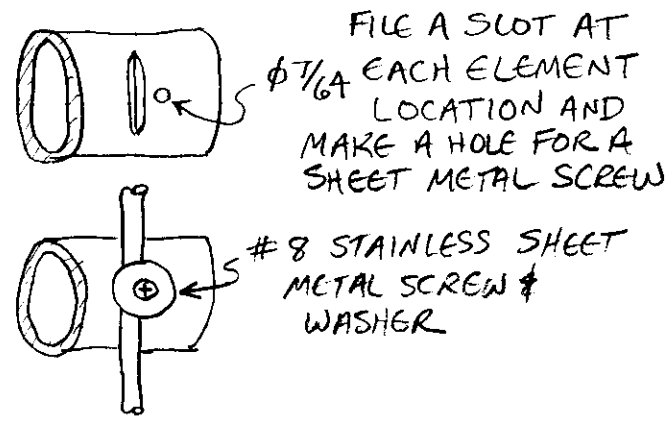
PORTABLE 4 ELEMENT, 2m BEAM ANTENNA

9/25/97
NILE
M. LOWELL

SWR: < 1.5
144-148 MHz
GAIN: 7 dB
F/B 17 dB



ELEMENT ATTACHMENT DETAIL



FEED POINT

